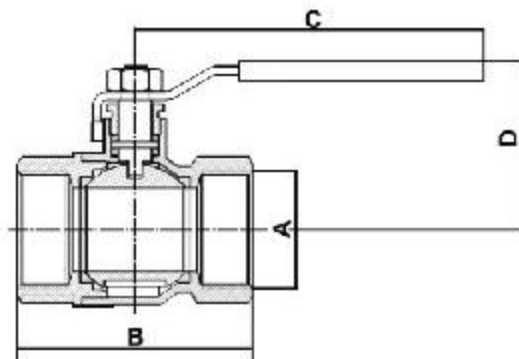


VALVULAS » VALVULAS DE ESFERA » LATON » PN-30 M-200



- PN-30
- TEMPERATURA MAXIMA: 150°C
- TEMPERATURA MINIMA: -10°C
- LATON NIQUELADO DIN-17660
- MANETA DE ACERO INOXIDABLE AISI-304
- SALIDA: CONEXIÓN A TUBO MACHO



| Código | Medida A | Dimensiones en mm | | | | Peso (Kg) | Uds. x Caja |
|---------|-------------|-------------------|------|------|-------|--------------|-------------------|
| | | Paso | B | C | D | | |
| 2018 02 | 3/8" | Ø10 | 42.5 | 92.5 | 39 | 0.13 | 80 |
| 2018 03 | 1/2" | Ø14.5 | 47.5 | 92.5 | 42 | 0.21 | 80 |
| 2018 04 | 3/4" | Ø19 | 56.5 | 92.5 | 46 | 0.31 | 60 |
| 2018 05 | 1" | Ø24 | 65 | 122 | 54 | 0.48 | 40 |
| 2018 06 | 1.1/4" | Ø30 | 75 | 122 | 58 | 0.69 | 24 |
| 2018 07 | 1.1/2" | Ø38 | 89 | 144 | 73 | 1.14 | 16 |
| 2018 08 | 2" | Ø47 | 103 | 144 | 81 | 1.73 | 8 |
| 2018 09 | 2.1/2" | Ø57 | 128 | 205 | 91 | 2.40 | 6 |
| 2018 10 | 3" | Ø69 | 146 | 225 | 108.5 | 3.60 | 4 |